

# H1-1000CY1W-GII



**AZ LIGHTING**

create your green life

## Specifications

Performance		
Lamp	Number	1
	Watts	1000W
InputVolts	120V	240V
Input Current	9.30A	4.60A
Input Power	1085W	1055W
Min Power Factor	0.99	
THD	<10%	
Crest Factor	<1.7	



Performance Requirements:	
Rated mains voltage:	120-240V
Voltage range (+/-10%):	108-264V
Mains frequency:	50/60Hz
Operation frequency :	100-120kHz

Physical		
Case Length	249mm	9.80"
Case Width	249mm	9.80"
Height	609mm	23.98"
Weight	4.2kg	9.26lb

Dimming Type						
Gear	600	750	825	1000	1150	EXT

1.External control: AZ Master Controller

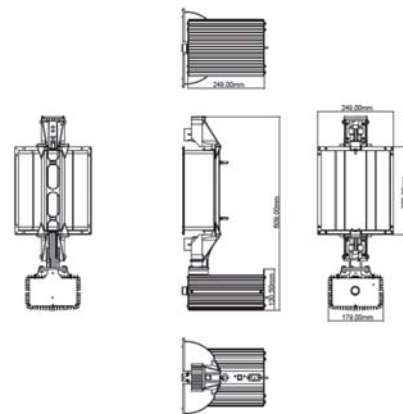
### Protections

- 1.End of Lamp Life(EOL)Protection
- 2.Short circuit protection
- 3.Open circuit protection
- 4.Ignition failure protection
- 5.Thermal protection
- 6.Three color status LED advanced status indication and status history
- 7.Suitable for Megaphoton Master Controller
- 8.Total control range 50-115%

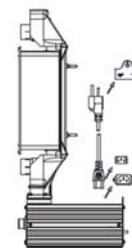
### Installation & Application Notes

- 1.Max. case temperature:75°C/167°F.
- 2.Ambient Temperature:-20...+40°C/-4...+104°F.
- 3.Max. Humidity:95%.
- 4.Ignition voltage is 5kV.

### Main Dimension



### Wiring Diagram



Ballast Case must be Grounded

Tcase max=75°C/167°F

